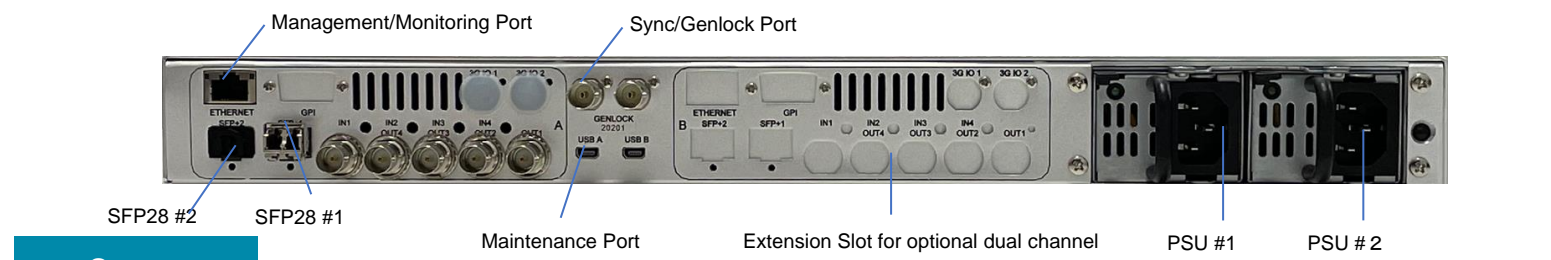
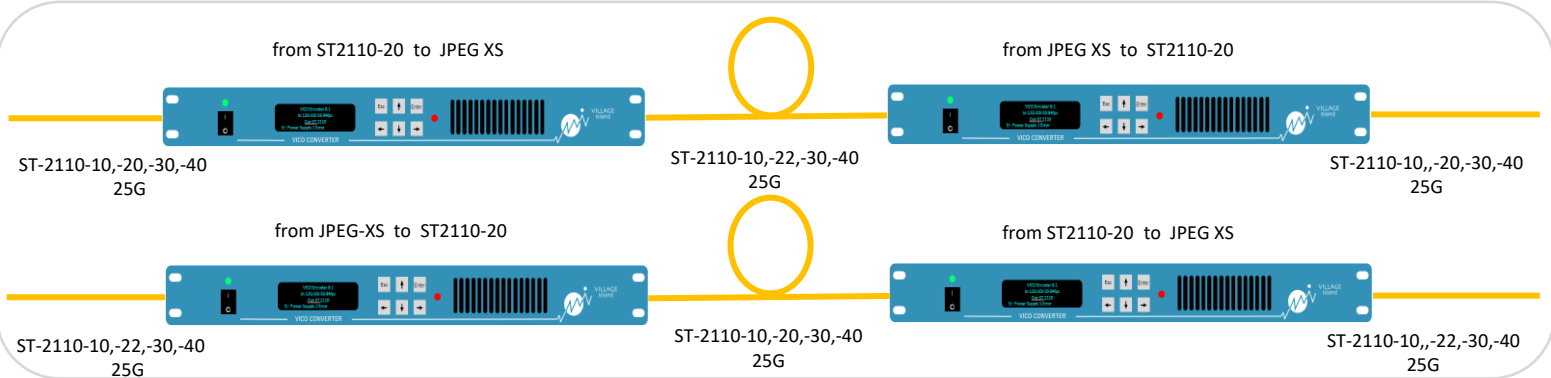




VICO-XI is the new addition to the VICO family of video over IP converters. It is empowered with the visual lossless JPEG-XS codec, and enables conversion between uncompressed ST2110-20 streams and JPEG-XS compressed ST2110-22 streams of 4K and HD video. The ST2022-7 redundancy option enables protection against data loss. The conversion is achieved with ultra-low delay, and the decoders can be synchronized through genlock or PTP(ST-2059-1/-2). The chassis can host up to two 4K channels per 1RU and is equipped with hot swappable redundant power supplies. Encoding and decoding modes can be switched and configured individually per channel.

### Features

- **Latency** From less than 1ms to 1 frame (<16.6ms), depending on user operation
- **Compression** 6:1 ~ 80:1 for 4K formats (14 selectable compression ratios)
- **Streaming Protocols** SMPTE ST2110 -10, -20, -22,-30, -40
- **Compliance** SMPTE ST2110 / ST2022-7(option) / ST2059 / JPEG-XS (ISO/IEC 21122:2019)
- **4K/HD channels** Maximum 2 (with extension slot) per 1RU rack mount chassis
- **Audio channels** 16 audio channels per 4K/HD video
- **IP Interface** 25G SFP28 (SFP transceivers are not included)



### Specs

<b>Resolutions</b>	4K: 3840 x 2160 HD: 1920 x 1080	<b>Alarm Out</b>	OLED Display, SNMP trap, Web GUI logs
<b>Frame rate</b>	4K: 60p/59.94p/50p HD: 60i/59.94i/50i/60p/59.94p/50p	<b>Control</b>	Front panel, Web GUI, NMOS
<b>Chroma / bits</b>	4:2:2 / 10bit	<b>Power Unit</b>	Hot-swappable, optionally redundant
<b>Streaming protocols</b>	Uncompressed: ST-2110-10,-20,-30,-40 JPEG-XS: ST-2110-10,-22,-30,-40	<b>Power</b>	AC100-240V, 30W
<b>IP I/O</b>	25G SFP28 #1: ST-2110/ST-2059(PTP) 25G SFP28 #2: ST-2110 with option ST-2022-7 1GE RJ45 : Management/Monitoring	<b>Sizes (W x D x H)</b>	435 x 260 x 44.5 mm
<b>Decoder Sync</b>	PTP (ST-2059-1/-2), Ext. Genlock	<b>Weigth</b>	5Kg
		<b>Temp./Humidity</b>	0°C~35°C / 20%~80% RH

\* Specifications are subject to change. Contact us for latest updates.