

VIDIO™

XILINX
ALLIANCE PROGRAM
MEMBER

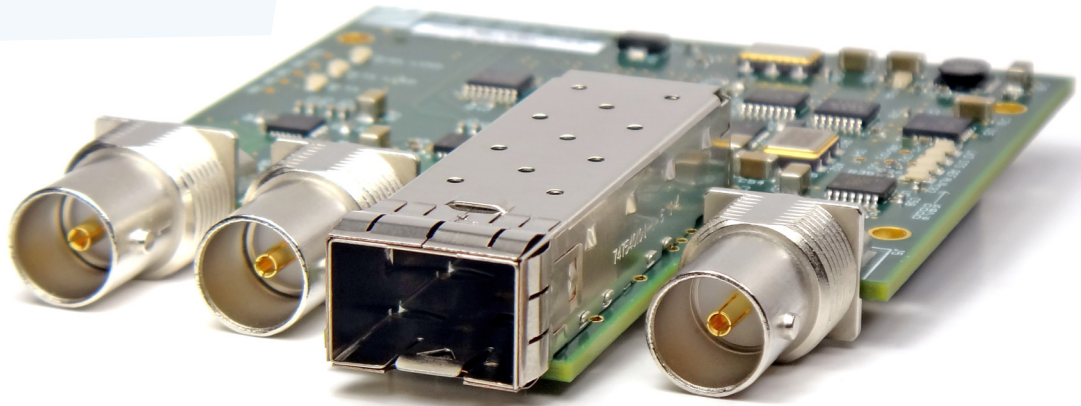
intel | FPGA Design
Solutions Network

FMC Development Module

12G

4Kp60

IP



Providing the latest video interfacing for select Xilinx® Ultrascale, Kintex, Virtex, Zynq or on Intel® Arria 10 development boards, featuring 12G SDI and IP up to 4Kp60

Features

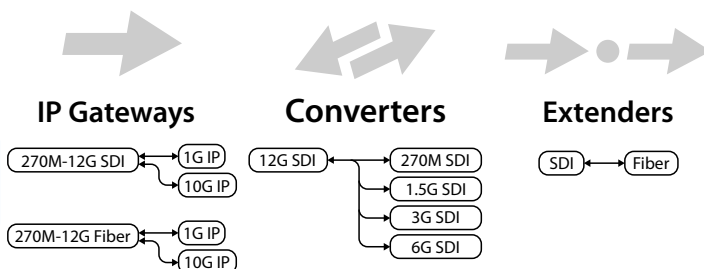
Designed to support Xilinx KCU105, KC705, VC709, ZC706, Intel Arria 10 and other development boards supporting the FMC HPC Standard

- Single FMC board supports SDI, Fiber, and IP
- Economical single channel solution
- Uses the latest 12G Texas Instruments® technology
- Full size 12G edge launch BNC connectors

Connections

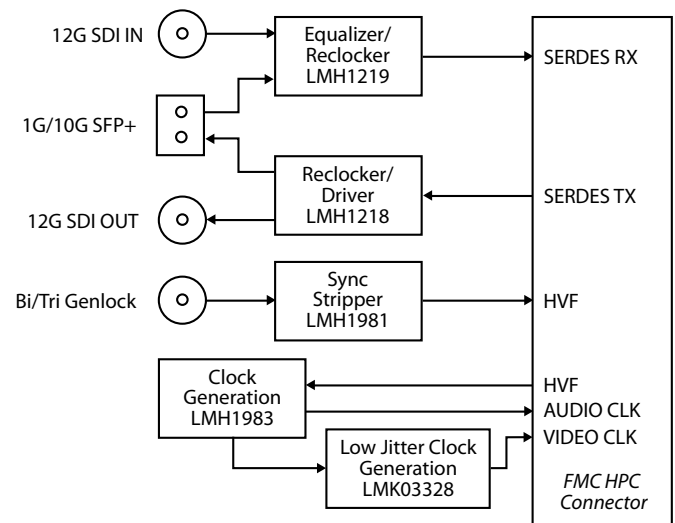
- 4Kp60 SDI I/O, supports SD/HD/3G/6G/12G/Fiber
- 1G/2.5G/10G Ethernet/Video SFP+
- Bi/Tri Level Genlock, supports Blackburst

Applications



Ordering Info: VIDIO-12G-X (Xilinx)
VIDIO-12G-A (Intel)

Block Diagram



Reference Design Available

- Schematics, Layout, Gerbers, and BOM
- Example Project

Nextera
Video

sales@nexteravideo.com
www.nexteravideo.com
(650) 600 - 9686